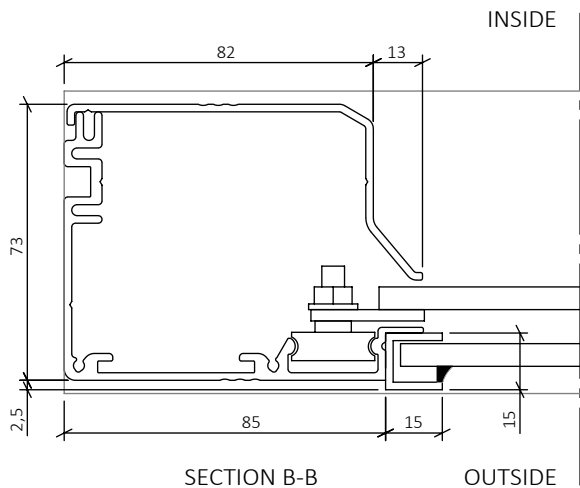
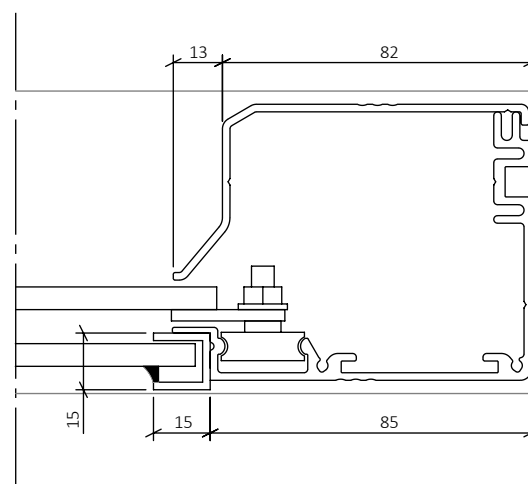


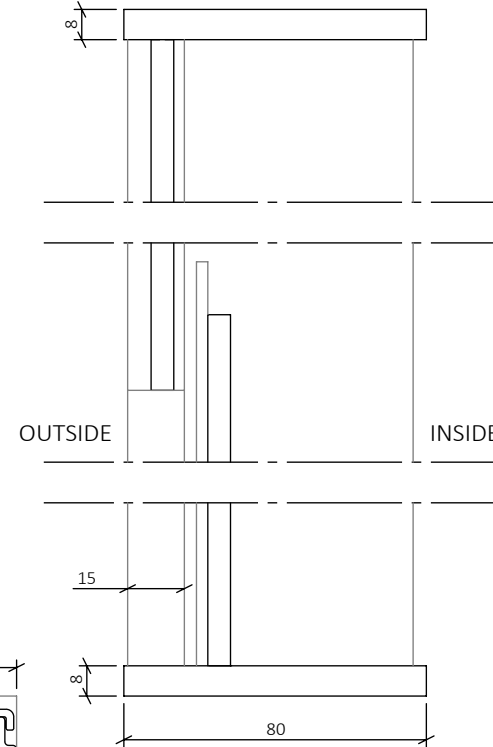
SCALE 1:20



SECTION B-B
SCALE 1:2



SECTION A-A
SCALE 1:2



EXPLANATIONS

ELECTRICALLY OPERATED SLIDING WINDOW, ERGOSAFE V80RG 2-PANEL. WINDOW OPENS VERTICALLY. NON-INSULATED, INTENDED FOR INDOOR USE. ALL DIMENSIONS GIVEN IN MILLIMETERS.

WALL OPENING, WIDTH: FOD+ 10 MM
WALL OPENING, HIGHT: FOD+ 5 MM

OPERATION

WINDOW IS EQUIPPED WITH ELECTRIC LOCK AND IMPULSE CONTROL WITH SAFETY BUFFERS. AUTOMATIC LOCK IN CLOSED POSITION. MOTOR AND DRIVE ARE INTEGRATED IN THE WINDOW DESIGN. CONNECTS TO 230 V WALL OUTLET. POWER ADAPTER AND PUSH BUTTON KEYPAD WITH 2 METER CORD INCLUDED.

SURFACE FINISH

NATURAL ANODIZED ALUMINIUM AS STANDARD. CAN BE PAINTED OR ANODIZED IN OTHER COLOURS (RAL/NCS).

GLASS

6 MM LAMINATED GLASS AS STANDARD (SAFETY GLASS). POLISHED GLASS EDGES. CUSTOMIZED UP TO 9 MM THICKNESS, DEPENDING ON LOCATION AND REQUIREMENTS.

OPTIONS

AVAILABLE IN DIFFERENT DESIGNS AND IN MANUAL VERSION. PLEASE CONTACT ERGOSAFE FOR FURTHER INFORMATION.

ErgoSafe[®]
FLEXIBLE GLASS SOLUTIONS

www.ergosafe.se

| | | | |
|-------------|--------------------------------------|----------------|------------|
| Category | ELECTRICALLY OPERATED SLIDING WINDOW | Date | 2023-10-30 |
| Description | V80RG 2-PANEL | Scale | 1:2 (A4) |
| Drawn By | EI | Drawing number | 20050-0002 |
| | | Rev | - |