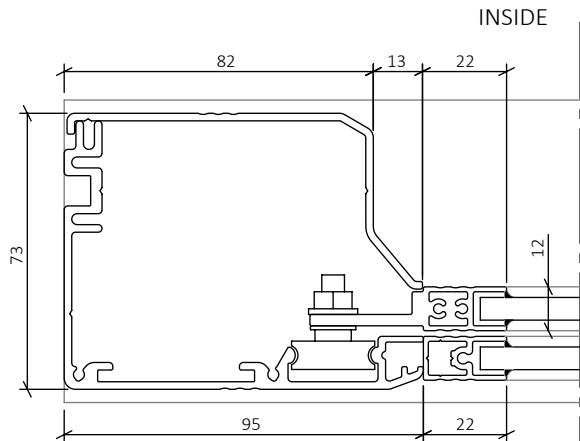
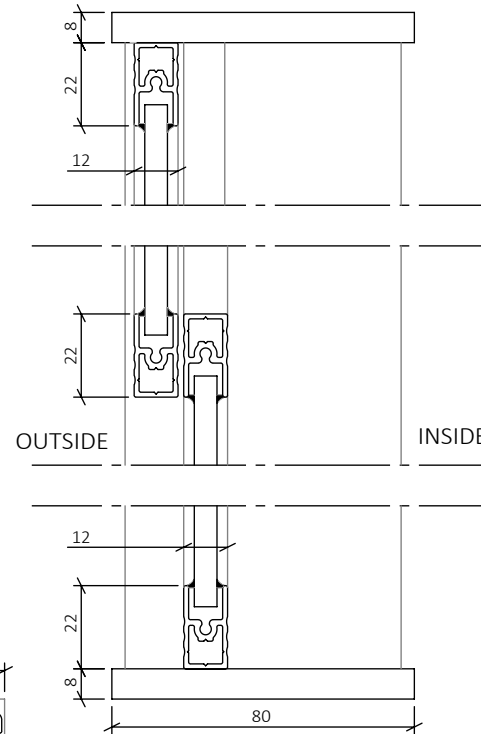
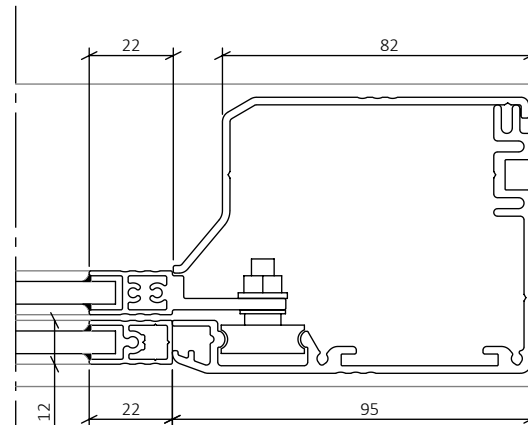


SCALE 1:20



SECTION B-B  
SCALE 1:2



SECTION A-A  
SCALE 1:2

**EXPLANATIONS**

ELECTRICALLY OPERATED SLIDING WINDOW, ERGOSAFE V80 2-PANEL. WINDOW OPENS VERTICALLY. NON-INSULATED, INTENDED FOR INDOOR USE. ALL DIMENSIONS GIVEN IN MILLIMETERS.

WALL OPENING, WIDTH: FOD+ 10 MM  
WALL OPENING, HIGHT: FOD+ 5 MM

**OPERATION**

WINDOW IS EQUIPPED WITH ELECTRIC LOCK AND IMPULSE CONTROL WITH SAFETY BUFFERS. AUTOMATIC LOCK IN CLOSED POSITION. MOTOR AND DRIVE ARE INTEGRATED IN THE WINDOW DESIGN. CONNECTS TO 230 V WALL OUTLET. POWER ADAPTER AND PUSH BUTTON KEYPAD WITH 2 METER CORD INCLUDED.

**SURFACE FINISH**

NATURAL ANODIZED ALUMINIUM AS STANDARD. CAN BE PAINTED OR ANODIZED IN OTHER COLOURS (RAL/NCS).

**GLASS**

6 MM LAMINATED GLASS AS STANDARD (SAFETY GLASS). CUSTOMIZED UP TO 9 MM THICKNESS, DEPENDING ON LOCATION AND REQUIREMENTS.

**OPTIONS**

AVAILABLE IN DIFFERENT DESIGNS AND IN MANUAL VERSION. PLEASE CONTACT ERGOSAFE FOR FURTHER INFORMATION.



www.ergosafe.se

Category ELECTRICALLY OPERATED SLIDING WINDOW	Date 2023-10-30
Description V80 2-PANEL	Scale 1:2 (A4)
Drawn By EI	Drawing number 20040-0002
	Rev -